

SHP Series: Heavy Duty Modular Power Supplies

These high power, modular power supplies, from 1500 through 2000 watts, are capable of up to 12 independent outputs. Modular design makes these units easy to customize for unusual voltage and power combinations. All units have power factor corrected inputs, an end mounted fan for cooling and a variety of built-in signals and controls. High reliability and a flexible design make these an excellent choice for process control and semiconductor fabrication applications.

Features

- Capable of up to 12 outputs
- Single output 24 V up to 87.4 A
- IEC 801 immunity standards
- Current Share on all outputs
- End mounted fan
- Voltage adjustment on all outputs $\pm 10\%$
- Overload protection on all outputs
- Power factor correction (.99 typ.)
- Margining on all outputs
- Modular Construction
- Signals
 - Global and individual module inhibits/enable
- Single phase and three phase inputs
- Two year warranty

Applications

- Process Controls
- Semi-conductor Fabrication
- Automated Service Equipment

Related Products

- SMP Medium Power Modular Power Supplies
- Surge Suppression
- SCD DC to DC Converters
- Active Tracking® Filters



Specifications

Parameter	Condition	Limit
Input		
Input Voltage	SH Series	86 to 264 Vac (1 \emptyset)
	S3H Series	180 to 264 (3 \emptyset)
Frequency		47 to 440 Hz
Protection		Internally Fused
Inrush Current		40A Max
Output		
Line Regulation	Full Rated Load	0.2% or 5mV max
Load Regulation	Full Rated Load	0.2% or 5mV max
Minimum Loading	Where indicated	
Temp. Coefficient		$\pm 0.02\%/^{\circ}\text{C}$
Hold up Time	Full Rated Load	No less than 20ms
Overvoltage Protection		2-5 V 122% to 134%
Short-Circuit Protection	Continuous	Protected for short-circuit, auto-recovery
Output Ripple		0.1% or 10mV RMS
General		
Operating Temperature	Full Rated Load	-10 to 50°C
Storage Temperature		-55 to +85°C
Efficiency	Full Rated Load	75% to 82%
MTBF		>500,000 hours
Shock & Vibration		MIL-HDBK 810E
EMI		CISPR 22, EN55022 Level B
Safety	All Models	UL, CE and CSA
Cooling		Internal DC fan 24

Selection Tables

Single Phase 1500 Watt, SH15 Series

Catalog Number	Output 1	Output 2	Output 3	Output 4	Maximum Output
SH15-Q2	3.3 V, 300 A	-	-		1500 W
SH15-Q3	5 V, 300 A	-	-		1500 W
SH15-Q4	12 V, 125 A	-	-		1500 W
SH15-Q5	15 V, 100 A	-	-		1500 W
SH15-Q6	24 V, 62.4 A	-	-		1500 W
SH15-Q7	28 V, 53.4 A	-	-		1500 W
SH15-Q8	36 V, 41.6 A	-	-		1500 W
SH15-Q9	48 V, 31.2 A	-	-		1500 W
SH20-P3T53J4	5 V, 150 A	24 V, 10.5 A	12 V, 25 A	12 V, 20 A	1500 W
SH20-P3T54J5	5 V, 150 A	24 V, 10.5 A	15 V, 20 A	15 V, 20 A	1500 W

Single Phase 2000 Watt, SH20 Series

Catalog Number	Output 1	Output 2	Output 3	Output 4	Output 5	Output 6	Maximum Output
SH20-Q3K3-7	5 V, 420 A	-	-	-	-	-	2000 W
SH20-Q6K6-7	24 V, 87.4 A	-	-	-	-	-	2000 W
SH20-Q9K9-7	48 V, 43.7 A	-	-	-	-	-	2000 W
SH20-M3K2	5 V, 240 A	3.3 V, 120 A	12 V, 4 A	-	-	-	2000 W
SH20-Z6Z7M3	5 V, 240 A	12 V, 21 A	12 V, 20 A	5 V, 50 A	15 V, 10 A	24 V, 5 A	2000 W

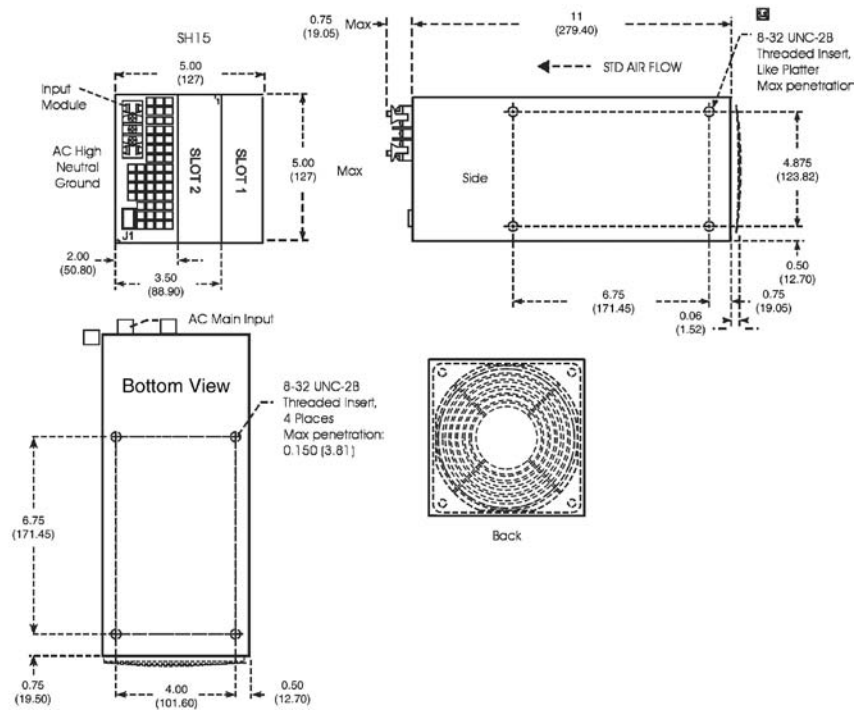
Three Phase 1500 Watt, S3H15 Series

Catalog Number	Output 1	Output 2	Output 3	Output 4	Maximum Output
S3H15-Q2	3.3 V, 300 A	-	-	-	1500 W
S3H15-Q3	5 V, 300 A	-	-	-	1500 W
S3H15-Q4	12 V, 125 A	-	-	-	1500 W
S3H15-Q5	15 V, 100 A	-	-	-	1500 W
S3H15-Q6	24 V, 62.4 A	-	-	-	1500 W
S3H15-Q7	28 V, 53.4 A	-	-	-	1500 W
S3H15-Q8	36 V, 41.6 A	-	-	-	1500 W
S3H15-Q9	48 V, 31.2 A	-	-	-	1500 W
S3H20-P3T53J4	5 V, 150 A	24 V, 10.5 A	12 V, 25 A	12 V, 20 A	1500 W
S3H20-P3T54J5	5 V, 150 A	24 V, 10.5 A	15 V, 20 A	15 V, 20 A	1500 W

Three Phase 2000 Watt, S3H20 Series

Catalog Number	Output 1	Output 2	Output 3	Output 4	Output 5	Output 6	Maximum Output
S3H20-Q3K3-7	5 V, 420 A	-	-	-	-	-	2000 W
S3H20-Q6K6-7	24 V, 87.4 A	-	-	-	-	-	2000 W
S3H20-Q9K9-7	48 V, 43.7 A	-	-	-	-	-	2000 W
S3H20-M3K2	5 V, 240 A	3.3 V, 120 A	-	-	-	-	2000 W
S3H20-Z6Z7M3	5 V, 240 A	12 V, 21 A	12 V, 20 A	5 V, 50 A	15 V, 10 A	24 V, 5 A	2000 W

SH15 & S3H15 Dimensions



SH20 & S3H20 Dimensions

